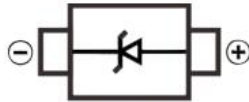


SOD-123 Surface Mounted Zener Diode 表面贴装稳压二极管

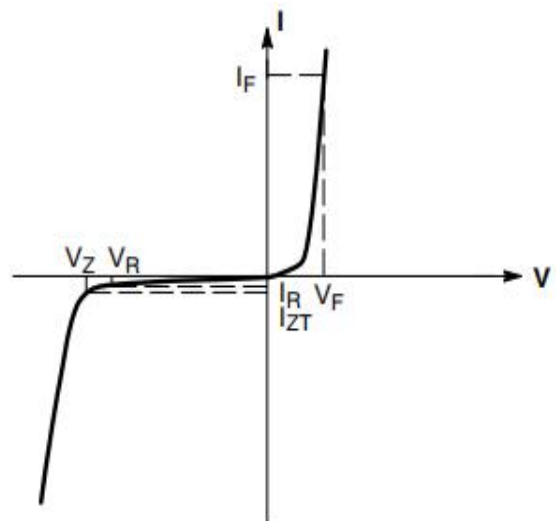
■SOD-123 Internal Configuration 内部结构



■Features 特点

Characteristic 特性参数	Symbol 符号	Max 最大值	Unit 单位
Power dissipation 耗散功率	$P_D(T_A=25^\circ\text{C})$	500	mW
Forward Voltage 正向电压	$V_F(@ I_F=10\text{mA})$	0.9	V
Reverse Voltage 反向电压	V_Z	2.0-75	V
Thermal Resistance J-A 结到环境热阻	$R_{\theta JA}$	340	$^\circ\text{C}/\text{W}$
Junction and Storage Temperature 结温和储藏温度	T_J, T_{stg}	150 $^\circ\text{C}$, -55to+150 $^\circ\text{C}$	

ELECTRICAL CHARACTERISTICS	
SYMBOL	PARAMETER
V_Z	Reverse Zener voltage at I_{ZT}
I_{ZT}	Reverse current
Z_{ZT}	Maximum Zener impedance at I_{ZT}
I_{ZK}	Reverse current
Z_{ZK}	Maximum Zener impedance at I_{ZK}
I_R	Reverse leakage current at V_R
V_R	Reverse voltage
I_F	Forward current
V_F	Forward voltage at I_F
I_{ZM}	Maximum DC Zener current



■Electrical Characteristics 电特性

($T_A=25^\circ\text{C}$ unless otherwise noted 如无特殊说明, 温度为 25 $^\circ\text{C}$)

Type Number	V _Z (V)@I _{ZT}			I _{ZT} (mA)	Z _{ZT} (Ω) @I _{ZT}	I _R (μA) @V _R	V _R (V)	Marking
	Nom.	Min.	Max.					
MM1Z2V0B	2.0	1.96	2.04	5	100	120	0.5	4A
MM1Z2V2B	2.2	2.16	2.24	5	100	120	0.7	4B
MM1Z2V4B	2.4	2.35	2.45	5	100	120	1	4C
MM1Z2V7B	2.7	2.65	2.75	5	110	120	1	4D
MM1Z3V0B	3.0	2.94	3.06	5	120	50	1	4E
MM1Z3V3B	3.3	3.23	3.37	5	130	20	1	4F
MM1Z3V6B	3.6	3.53	3.67	5	130	10	1	4H
MM1Z3V9B	3.9	3.82	3.98	5	130	5	1	4J
MM1Z4V3B	4.3	4.21	4.39	5	130	5	1	4K
MM1Z4V7B	4.7	4.61	4.79	5	130	2	1	4M
MM1Z5V1B	5.1	5.0	5.2	5	130	2	1	4N
MM1Z5V6B	5.6	5.49	5.71	5	80	1	2	4P
MM1Z6V2B	6.2	6.08	6.32	5	50	1	3	4R
MM1Z6V8B	6.8	6.66	6.94	5	30	0.5	4	4X
MM1Z7V5B	7.5	7.35	7.65	5	30	0.5	5	4Y
MM1Z8V2B	8.2	8.04	8.36	5	30	0.5	6	4Z
MM1Z9V1B	9.1	8.92	9.28	5	30	0.5	7	5A
MM1Z10B	10	9.8	10.2	5	30	0.1	7	5B
MM1Z11B	11	10.78	11.22	5	30	0.1	8	5C
MM1Z12B	12	11.76	12.24	5	35	0.1	9	5D
MM1Z13B	13	12.74	13.26	5	35	0.1	10	5E
MM1Z15B	15	14.7	15.3	5	40	0.1	11	5F
MM1Z16B	16	15.68	16.32	5	40	0.1	12	5H
MM1Z18B	18	17.64	18.36	5	45	0.1	13	5J
MM1Z20B	20	19.6	20.4	5	50	0.1	15	5K
MM1Z22B	22	21.56	22.44	5	55	0.1	17	5M
MM1Z24B	24	23.52	24.48	5	60	0.1	18	5N
MM1Z27B	27	26.46	27.54	2	70	0.1	21	5P
MM1Z30B	30	29.4	30.6	2	80	0.1	23	5R
MM1Z33B	33	32.34	33.66	2	80	0.1	25	5X
MM1Z36B	36	35.28	36.72	2	90	0.1	27	5Y
MM1Z39B	39	38.22	39.78	2	100	0.1	30	5Z
MM1Z43B	43	42.14	43.86	2	130	0.1	32	6A
MM1Z47B	47	46.06	47.94	2	150	0.1	35	6B
MM1Z51B	51	49.98	52.02	2	180	0.1	38	6C
MM1Z56B	56	54.88	57.12	2	200	0.1	42	6D
MM1Z62B	62	60.76	63.24	2	215	0.1	47	6E
MM1Z68B	68	66.64	69.36	2	240	0.1	52	6F
MM1Z75B	75	73.5	76.5	2	265	0.1	56	6H

■ Typical Characteristic Curve 典型特性曲线

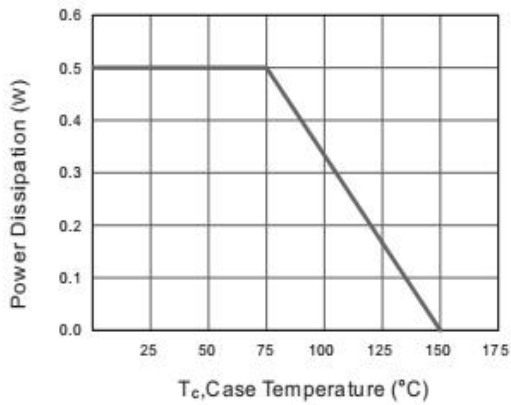


Figure 1: Power Derating Curve

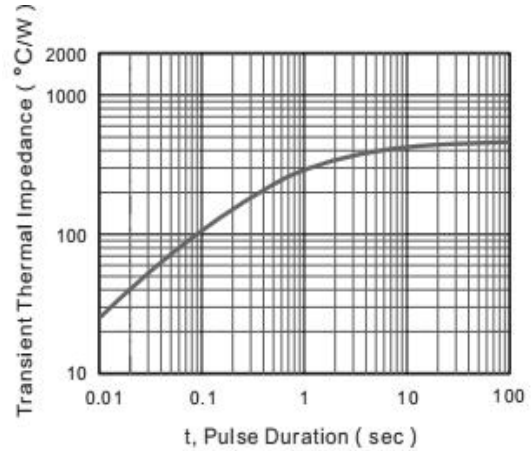
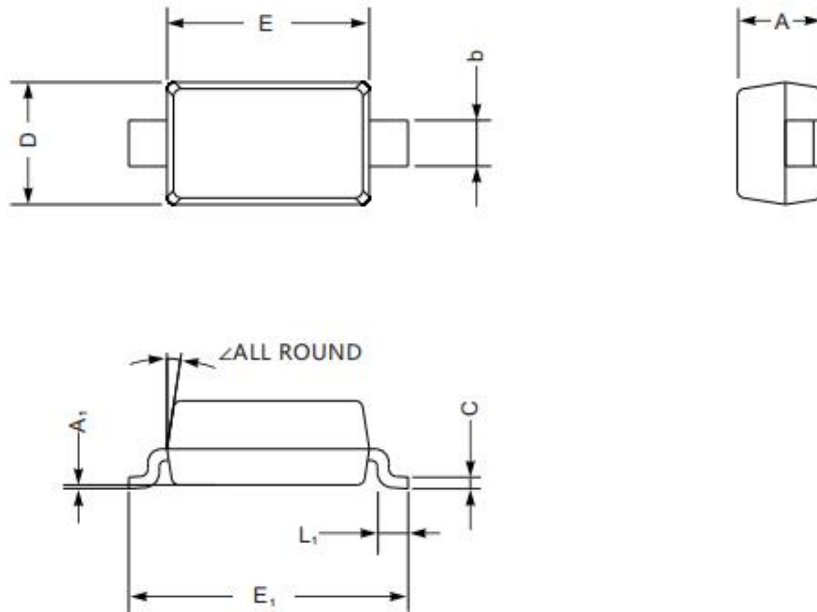


Figure 2: Zener Impedance Characteristics

■ Dimension 外形封装尺寸



UNIT		A	C	D	E	E ₁	L ₁	b	A ₁	∠
mm	max	1.3	0.22	1.8	2.8	3.9	0.45	0.7	0.2	9°
	min	0.9	0.09	1.5	2.5	3.6	0.25	0.5	—	
mil	max	51	8.7	71	110	154	18	28	8	
	min	35	3.5	59	98	142	10	20	—	